

REKA LED

Fassadenleuchte

54IP

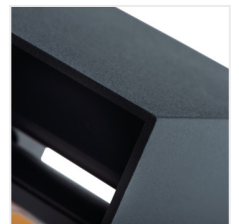
LED
technology

DESIGN
unique



REKA LED EL 7W-L-GR

| | | | | | | |
|--------------------------|---------------|--------------|---------------|---------------|--------------|----------------|
| [V] 220-240 AC | [Hz] 50/60 | [lm] 7 | [°] max 90 | [h] ≥20000 | [h] 30000 | Tc [K] 4000 |
| ellipso ≤ fix MacAdam | Ra ≥80 | COB | | | | IP 54 |
| 0,5m | | °C -15÷35 | | | | [mm²] 1 |
| CE | ERC | | | | | |



| | [lm] | Tc [K] | [°] | |
|----------------------------------|------|---------|------|----------------|
| REKA LED EL 7W-L-GR 28990 | 7 | max 360 | 4000 | max 90 graphit |
| REKA LED EL 7W-O-GR 28991 | 7 | max 380 | 4000 | max 90 graphit |



- Einstellung des Abstrahlwinkels
- Gehäusematerial: Aluminiumlegierung



REKA LED

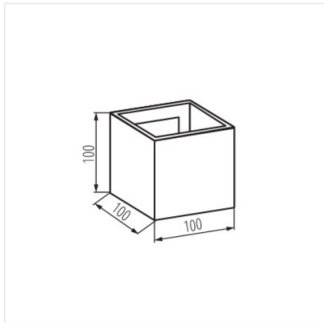
Fassadenleuchte



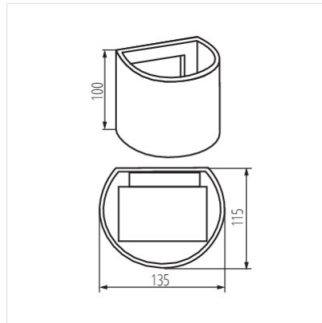
REKA LED EL 7W-L-GR



REKA LED EL 7W-O-GR



REKA LED EL-L



REKA LED EL-O