

LED Außenstrahler



65IP



[V] 220-240 AC	[Hz] 50/60	cos φ 0.9	[°] 120	[lm] ≥15000	[h] 50000	TC I Ki 4000
ellipse ≤ für Nachdam	Ra ≥80	SMD	[°C] -40÷40	IK 08	IP 65	[m] 0.4
[m] 1m	IK 08	CE	EAC	[m] 0.4	[mm²] 1	



		[V]		[lm]	[°]	TC I Ki
28490	FL MASTER LED 100W-NW	100	schwarz	13000	120	4000
28491	FL MASTER LED 140W-NW	140	schwarz	18200	120	4000
28492	FL MASTER LED 220W-NW	220	schwarz	28600	120	4000



- Gehäusematerial: Aluminiumlegierung
- Material der Schutzscheibe: Hartglas



LED Außenstrahler



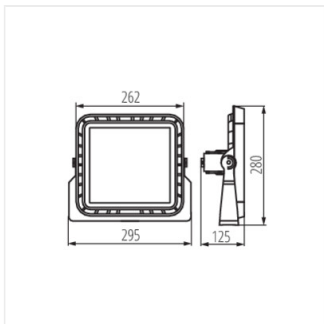
FL MASTER LED 100W-NW



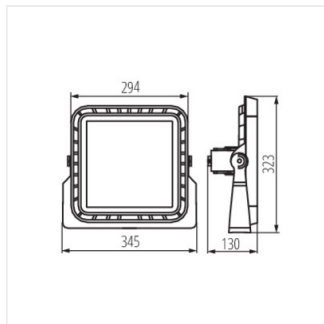
FL MASTER LED 140W-NW



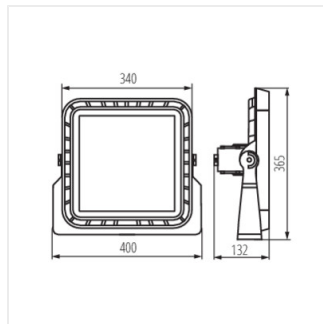
FL MASTER LED 220W-NW



FL MASTER LED 100W



FL MASTER LED 150W



FL MASTER LED 220W