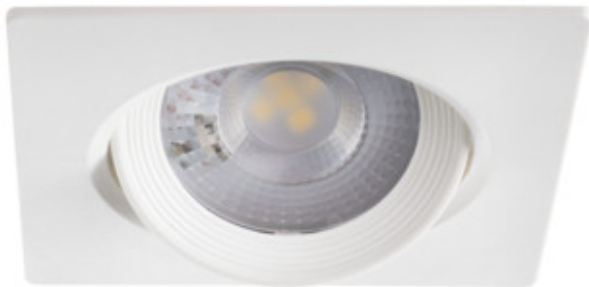


ARME LED

Downlight



[V] 220-240 AC	[Hz] 50/60	[W] 5	[lm] 370	[°] 40	[h] ≥15000	[h] 20000
Tc [K] 3000	ellipse ≤ für Maxdäm	Ra ≥80			IP 20	
[°C] 5÷25		[°] 35		[mm] 73	0,5m	
CE	ERC					



				Tc [K]	[lm]
28250	ARME LED L 5W-WW	5	weiß	3000	370
28251	ARME LED O 5W-WW	5	weiß	3000	370



- Gehäusematerial: Kunststoff
- Material Diffusor: Kunststoff



ARME LED

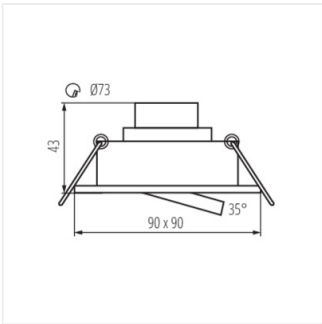
Downlight



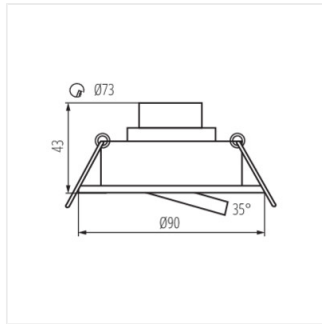
ARME LED L 5W-WW



ARME LED O 5W-WW



ARME LED L



ARME LED O