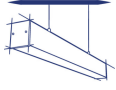


### Linear LED luminaire



[V] 220-240 AC	[Hz] 50/60	[W] 17	[lm] 1600	lm W 94	[°] X85/Y95	≥30000
[h] 50000	Tc [K] 4000	ellipse ≤ 6x MacAdam	Ra ≥80	SMD		
IP 20		[°C] 5÷25			[mm²] 1.5-2.5	0.5m
	CE					



AL 17W-840-MAT-B **28099**

17

4000

matt

X85/Y95

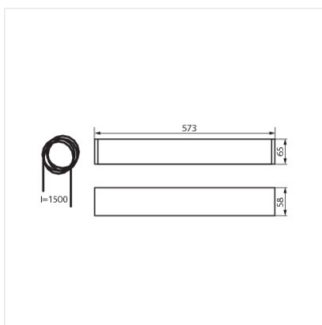
black

1600

573

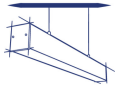


- 5 years Warranty under the terms of the warranty statement, available on our website
- Atest PZH: Numer BK/K/0927/02/2018, ważny do 2023-11-28
- Enclosure material: aluminum alloy
- Lampshade material: plastic



AL 17W-840-MAT-B

### Linear LED luminaire

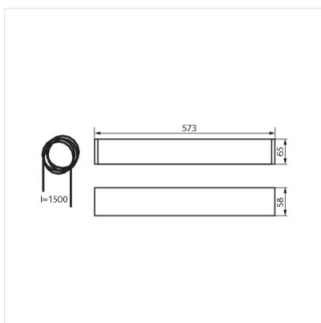


[V] 220-240 AC	[Hz] 50/60	[W] 17	[lm] 1600	$\frac{\text{lm}}{\text{W}}$ 94	[°] X85/Y95	 ≥30000
[h] 50000	Tc [K] 4000	ellipse ≤ fca MacAdam	Ra ≥80	SMD		
IP 20		°C 5÷25			[mm²] 1.5-2.5	 0.5m
	CE					

			TYPE 	[°] 		[lm] 	mm 
AL 17W-840-MAT-SR	<b>28103</b>	17	4000	mat	X85/Y95	silver	1600 573



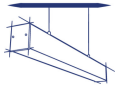
- 5 years Warranty under the terms of the warranty statement, available on our website
- Atest PZH: Numer BK/K/0927/02/2018, ważny do 2023-11-28
- Enclosure material: aluminum alloy
- Lampshade material: plastic



AL 17W-840-MAT-SR

## 28095 AL 17W-840-MAT-W

Linear LED luminaire

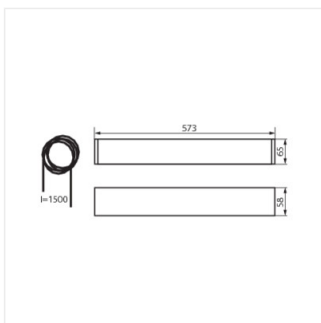


$[V]$ 220-240 AC	$[Hz]$ 50/60	$[W]$ 17	$[lm]$ 1600	$\frac{lm}{W}$ 94	$[^\circ]$ X85/Y95	$\geq 30000$
$[h]$ 50000	$T_c [K]$ 4000	ellipse $\leq f_n$ MacAdam	$R_a$ $\geq 80$	SMD		
IP 20		$[^\circ C]$ 5÷25			$[mm^2]$ 1.5-2.5	$0.5m$

		$[W]$	$T_c [K]$	TYPE	$[^\circ]$		$[lm]$	mm
AL 17W-840-MAT-W	<b>28095</b>	17	4000	matt	X85/Y95	white	1600	573

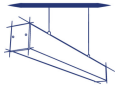


- 5 years Warranty under the terms of the warranty statement, available on our website
- Atest PZH: Numer BK/K/0927/02/2018, ważny do 2023-11-28
- Enclosure material: aluminum alloy
- Lampshade material: plastic



AL 17W-840-MAT-W

### Linear LED luminaire



[V] 220-240 AC	[Hz] 50/60	[lm] 23	[lm] 2500	lm W 109	[°] X85/Y95	≥30000
[h] 50000	Tc [K] 4000	ellipse ≤ for MacAdam	Ra ≥80	SMD		
IP 20		°C 5÷25			[mm²] 1.5-2.5	0.5m
	CE					

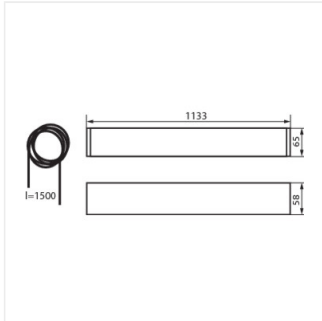
		[lm] 23	Tc [K] 4000	TYPE + x	[°] X85/Y95	black	[lm] 2500	mm A B 1133
AL 23W-840-MAT-B	28123							



- 5 years Warranty under the terms of the warranty statement, available on our website
- Atest PZH: Numer BK/K/0927/02/2018, ważny do 2023-11-28
- Enclosure material: aluminum alloy
- Lampshade material: plastic

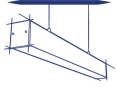


Linear LED luminaire



AL 23W-840-MAT-B

### Linear LED luminaire



[V] 220-240 AC	[Hz] 50/60	[lm/W] 23	[lm] 2500	lm/W 109	[°] X85/Y95	[h] ≥30000
[h] 50000	Tc [K] 4000	ellipse ≤ f(x) Max/diam	Ra ≥80	SMD		
IP 20		[°C] 5÷25			[mm²] 1.5-2.5	0.5m
	CE					

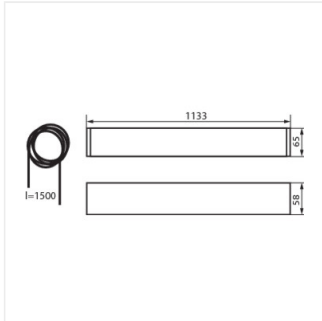
AL 23W-840-MAT-SR	<b>28127</b>	[lm/W] 23	Tc [K] 4000	TYPE matt	[°] X85/Y95	palette silver	[lm] 2500	mm 1133
-------------------	--------------	--------------	----------------	--------------	----------------	-------------------	--------------	------------



- 5 years Warranty under the terms of the warranty statement, available on our website
- Atest PZH: Numer BK/K/0927/02/2018, ważny do 2023-11-28
- Enclosure material: aluminum alloy
- Lampshade material: plastic

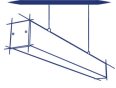


Linear LED luminaire



AL 23W-840-MAT-SR

### Linear LED luminaire



[V] 220-240 AC	[Hz] 50/60	[W] 23	[lm] 2500	$\frac{lm}{W}$ 109	[°] X85/Y95	 ≥30000
[h] 50000	Tc [K] 4000	ellipse ≤ for MacAdam	Ra ≥80	SMD		
IP 20		[°C] 5÷25			[mm²] 1.5-2.5	 0.5m
	CE					

AL 23W-840-MAT-W	<b>28119</b>			TYPE 	[°] 		[lm] 	mm 
AL 23W-840-MAT-W	<b>28119</b>	23	4000	matt	X85/Y95	white	2500	1133



- 5 years Warranty under the terms of the warranty statement, available on our website
- Atest PZH: Numer BK/K/0927/02/2018, ważny do 2023-11-28
- Enclosure material: aluminum alloy
- Lampshade material: plastic

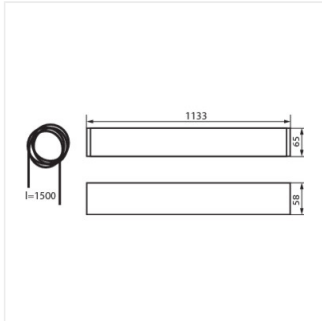




## 28119 AL 23W-840-MAT-W

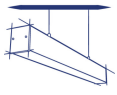
---

Linear LED luminaire



AL 23W-840-MAT-W

### Linear LED luminaire



[V] 220-240 AC	[Hz] 50/60	[W] 23	[lm] 2350	lm W 102	[°] X75/Y90	 ≥30000
[h] 50000	Tc [K] 4000	ellipse ≤ fca MacAdam	Ra ≥80	SMD		
IP 20		°C 5÷25			[mm²] 1.5-2.5	 0.5m
	CE					

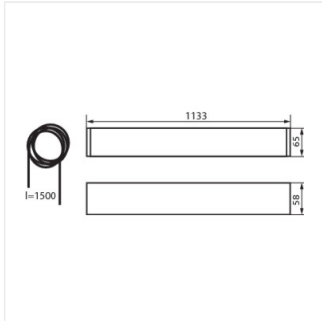
AL 23W-840-MPR-SR	<b>28129</b>			TYPE 	[°] 		[lm] 	mm A B 
AL 23W-840-MPR-SR	<b>28129</b>	23	4000	microprismatic	X75/Y90	silver	2350	1133



- 5 years Warranty under the terms of the warranty statement, available on our website
- Atest PZH: Numer BK/K/0927/02/2018, ważny do 2023-11-28
- Enclosure material: aluminum alloy
- Lampshade material: plastic



Linear LED luminaire

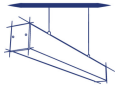


AL 23W-840-MPR-SR



## 28151 AL 33W-840-MAT-SR

Linear LED luminaire

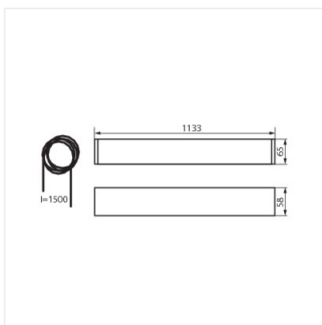


[V] 220-240 AC	[Hz] 50/60	[lm] 33	[lm] 3200	lm W 97	[°] X85/Y95	≥30000
[h] 50000	Tc [K] 4000	ellipse ≤ for MacAdam	Ra ≥80	SMD		
IP 20		[°C] 5÷25			[mm²] 1.5-2.5	0.5m
	CE					

		[lm]	Tc [K]	TYPE	[°]		[lm]	mm
AL 33W-840-MAT-SR	<b>28151</b>	33	4000	matt	X85/Y95	silver	3200	1133



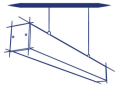
- 5 years Warranty under the terms of the warranty statement, available on our website
- Atest PZH: Numer BK/K/0927/02/2018, ważny do 2023-11-28
- Enclosure material: aluminum alloy
- Lampshade material: plastic



AL 33W-840-MAT-SR

## 28143 AL 33W-840-MAT-W

Linear LED luminaire

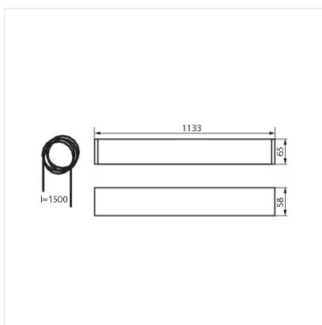


[V] 220-240 AC	[Hz] 50/60	[lm/W] 33	[lm] 3200	lm/W 97	[°] X85/Y95	 ≥30000
[h] 50000	Tc [K] 4000	ellipse ≤ for MacAdam	Ra ≥80	SMD		
IP 20		°C 5÷25			[mm²] 1.5-2.5	 0.5m
	CE					

AL 33W-840-MAT-W	<b>28143</b>			TYPE 	[°] 		[lm] 	mm 
AL 33W-840-MAT-W	<b>28143</b>	33	4000	matt	X85/Y95	white	3200	1133



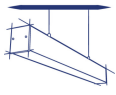
- 5 years Warranty under the terms of the warranty statement, available on our website
- Atest PZH: Numer BK/K/0927/02/2018, ważny do 2023-11-28
- Enclosure material: aluminum alloy
- Lampshade material: plastic



AL 33W-840-MAT-W

## 28195 AL 50W-840-MAT-B

Linear LED luminaire



[V] 220-240 AC	[Hz] 50/60	[lm] 50	[lm] 4800	lm W 96	[°] X85/Y95	≥30000
[h] 50000	Tc [K] 4000	ellipse ≤ for MacAdam	Ra ≥80	SMD		
IP 20		[°C] 5÷25			[mm²] 1.5-2.5	0.5m
	CE					



AL 50W-840-MAT-B **28195**

50

4000

matt

X85/Y95

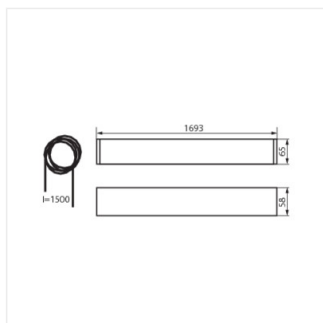
black

4800

1693

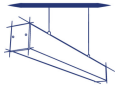


- 5 years Warranty under the terms of the warranty statement, available on our website
- Atest PZH: Numer BK/K/0927/02/2018, ważny do 2023-11-28
- Enclosure material: aluminum alloy
- Lampshade material: plastic



AL 50W-840-MAT-B

### Linear LED luminaire

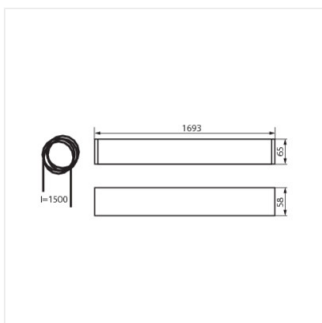


[V] 220-240 AC	[Hz] 50/60	[lm]	[lm] 4800	lm W 96	[°] X85/Y95	≥30000
[h] 50000	Tc [K] 4000	ellipse ≤ for MacAdam	Ra ≥80	SMD		
IP 20		[°C] 5÷25			[mm²] 1.5-2.5	0.5m
	CE					

AL 50W-840-MAT-SR	<b>28199</b>	[lm]	Tc [K]	TYPE	[°]		[lm]	mm
		50	4000	+	X85/Y95	silver	4800	1693



- 5 years Warranty under the terms of the warranty statement, available on our website
- Atest PZH: Numer BK/K/0927/02/2018, ważny do 2023-11-28
- Enclosure material: aluminum alloy
- Lampshade material: plastic

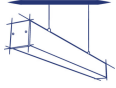


AL 50W-840-MAT-SR



## 28191 AL 50W-840-MAT-W

Linear LED luminaire

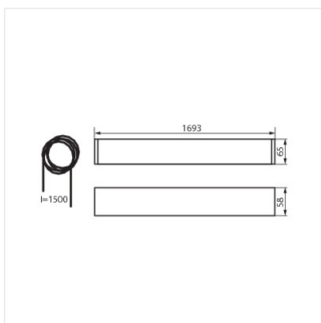


[V] 220-240 AC	[Hz] 50/60	[W] 50	[lm] 4800	lm W 96	[°] X85/Y95	 ≥30000
[h] 50000	Tc [K] 4000	ellipse ≤ for MacAdam	Ra ≥80	SMD		
IP 20		°C 5÷25			[mm²] 1.5-2.5	 0.5m
	CE					

			TYPE 	[°] 		[lm] 	mm A B 
AL 50W-840-MAT-W 28191	50	4000	matt	X85/Y95	white	4800	1693



- 5 years Warranty under the terms of the warranty statement, available on our website
- Atest PZH: Numer BK/K/0927/02/2018, ważny do 2023-11-28
- Enclosure material: aluminum alloy
- Lampshade material: plastic



AL 50W-840-MAT-W