

Downlight



| | | | | | | |
|--------------------------|----------------------|---------------------------------|----------------------|---------------------|----------------------------|------------|
| [V] 220-240 AC | [Hz] 50/60 | [°] 110 | [h] ≥20000 | [h] 15000 | elliptisch ≤ 6x Nachdam | Ra ≥80 |
| SMD | | | IP 44/20 | | [°C] 5÷25 | |
| | [m] 0,05 | [mm²] 0,75 | [m] 0,5m | | CE | EAC |



| | | | | [°] | |
|------------------------------------|----|------------------|------|------------|------|
| KATRO V2LED 12W-NW-SN 27214 | 12 | Nickel satiniert | 780 | 110 | 4000 |
| KATRO V2LED 18W-NW-SN 27215 | 18 | Nickel satiniert | 1250 | 110 | 4000 |
| KATRO V2LED 24W-NW-SN 27216 | 24 | Nickel satiniert | 1700 | 110 | 4000 |
| KATRO V2LED 6W-NW-SN 27217 | 6 | Nickel satiniert | 300 | 110 | 4000 |
| KATRO V2LED 12W-NW-W 28940 | 12 | weiß | 780 | 110 | 4000 |
| KATRO V2LED 12W-WW-W 28941 | 12 | weiß | 720 | 110 | 3000 |
| KATRO V2LED 18W-NW-SR 28942 | 18 | silber | 1080 | 110 | 4000 |
| KATRO V2LED 18W-NW-W 28943 | 18 | weiß | 1260 | 110 | 4000 |
| KATRO V2LED 6W-NW-W 28946 | 6 | weiß | 330 | 110 | 4000 |



- Gehäusematerial: Aluminiumlegierung
- Material Diffusor: Kunststoff

KATRO V2LED

Downlight



KATRO V2LED 12W-NW-SN



KATRO V2LED 18W-NW-SN



KATRO V2LED 24W-NW-SN



KATRO V2LED 6W-NW-SN



KATRO V2LED 12W-NW-W



KATRO V2LED 18W-NW-SR

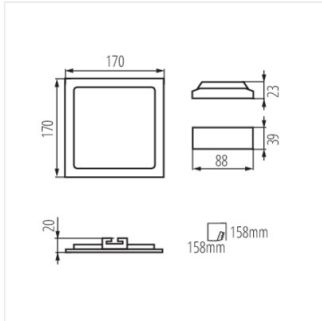


KATRO V2LED 18W-NW-W

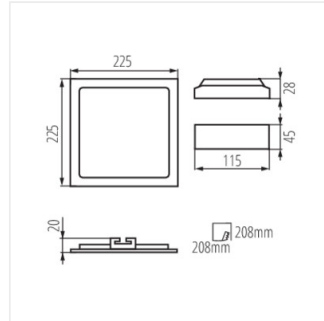


KATRO V2LED 6W-NW-W

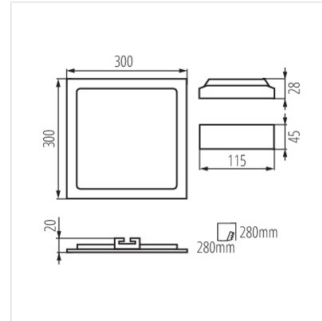
Downlight



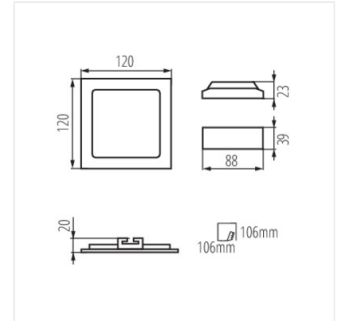
KATRO V2LED 12W



KATRO V2LED 18W



KATRO V2LED 24W



KATRO V2LED 6W